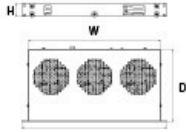


## 19" 1U Fan Module



<b>Operating Voltage</b>	AC 220 / 240 Volts 50/60 Hz	
<b>Standards</b>	Conforms to IEC 297-1	<b>Air Flow</b> 85 / 97 CFM
<b>Noise</b>	42,2 / 44,5 dB (A)	<b>Material</b> 1,5 mm Steel
<b>Fan Speed</b>	2600 / 2900 rpm	<b>Finish</b> Electrostatic Powder Paint
<b>Packaging</b>	One piece in a box	

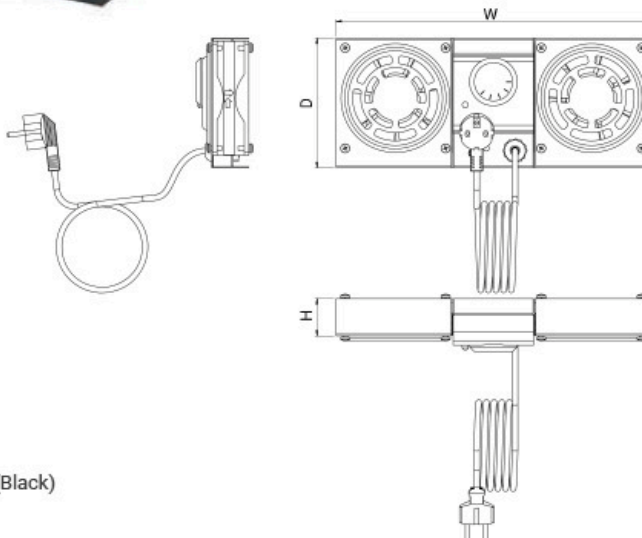
H (mm)	D (mm)	W (mm)	Number of Fans	Weight kg	Part No
1U	258	483	3	4,19	CCA-X-2001

## Fan Module for Wall Mount Enclosures



<b>Operating Voltage</b>	AC 220 / 240 Volts 50/60 Hz	
<b>Standards</b>	Conforms to IEC 297-1	<b>Air Flow</b> 85 / 97 CFM
<b>Noise</b>	42,2 / 44,5 dB (A)	<b>Material</b> 1,5 mm Steel
<b>Fan Speed</b>	2600 / 2900 rpm	<b>Finish</b> Electrostatic Powder Paint
<b>Packaging</b>	One piece in a box	

H (mm)	D (mm)	W (mm)	Number of Fans	Weight kg	Part No
39	135	326	1	1,27	CWA-X-2001
39	135	326	2	1,80	CWA-X-2002



\* X : Color code = 7: RAL 7035 (Grey); 9: RAL 9005 (Black)

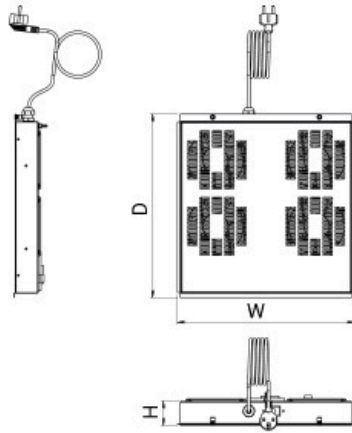
## Fan Module for inorax-AL Series



<b>Operating Voltage</b>	AC 220 / 240 Volts 50/60 Hz	
<b>Standards</b>	Conforms to IEC 297-1	<b>Air Flow</b> 85 / 97 CFM
<b>Noise</b>	42,2 / 44,5 dB (A)	<b>Material</b> 1,5 mm Steel
<b>Fan Speed</b>	2600 / 2900 rpm	<b>Finish</b> Electrostatic Powder Paint
<b>Packaging</b>	One piece in a box	

H (mm)	D (mm)	W (mm)	Number of Fans	Weight kg	Part No **,**
47	375	363	2	3,76	CPA-X-2001
47	375	363	4	4,81	CPA-X-2002
47	510	363	6	6,74	CPA-X-2003

- 2-4 Fan trays can only be used in 600-800 mm depth cabinets, not for 1000 mm and bigger depth cabinets.
- 6 Fan tray can only be used in 1000 mm and bigger depth cabinets, not for 600-800 mm depth cabinets

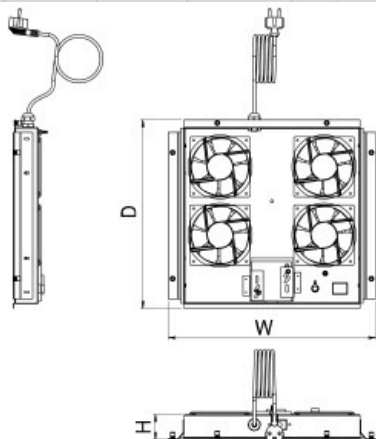


## Fan Module for inorax-ST series



<b>Operating Voltage</b>	AC 220 / 240 Volts 50/60 Hz	
<b>Standards</b>	Conforms to IEC 297-1	<b>Air Flow</b> 85 / 97 CFM
<b>Noise</b>	42,2 / 44,5 dB (A)	<b>Material</b> 1,5 mm Steel
<b>Fan Speed</b>	2600 / 2900 rpm	<b>Finish</b> Electrostatic Powder Paint
<b>Packaging</b>	One piece in a box	

H (mm)	D (mm)	W (mm)	Number of Fans	Weight kg	Part No
47	375	363	2	2,90	CSA-X-2001
47	375	363	4	3,95	CSA-X-2002



\* X : Color code = 7: RAL 7035 (Grey); 9: RAL 9005 (Black)