



MULTIduct™ Micro

The next generation of MULTIduct™ duct bank products

MULTIduct™ Micro is a multiple duct bank system used for constructing under road crossings, bridge crossings and linear routes.

Duct banks are built by connecting 500mm sections by push-fit system. The system is available in 4 and 6 way profiles and each duct space offers a space of approximately 50mm x 50mm for cables.

MULTIduct™ Micro is manufactured from High Density Polyethylene (HDPE) which offers high strength-to-weight properties, resulting in a product that has high crush resistance but falls under 3kg per unit in weight.



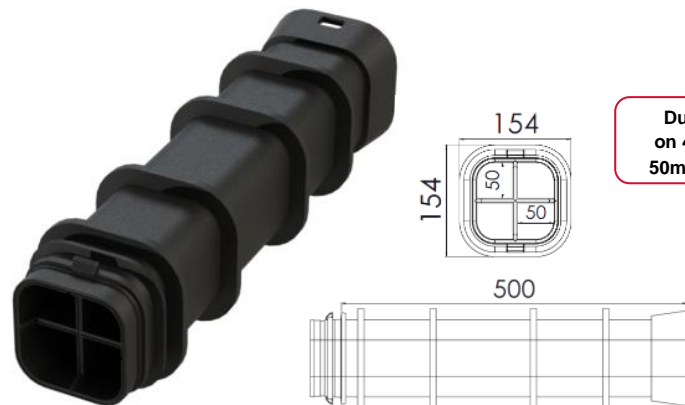
Duct face and inner ducts can be sealed to enhance cable blowing capabilities



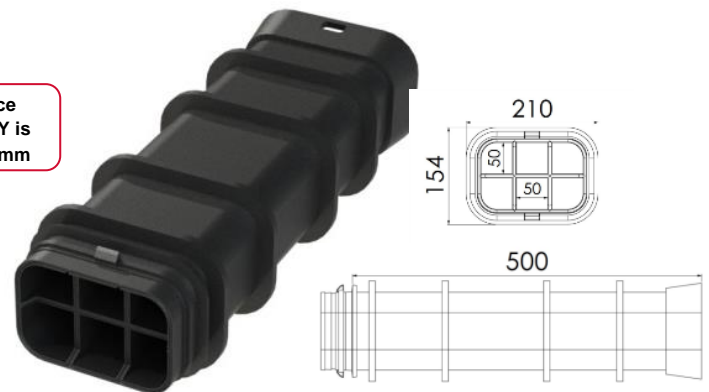
Units are connected with push-fit design - fast and easy to complete

Size Range

MULTIduct™ Micro (4 way)



MULTIduct™ Micro (6 way)



Connected MULTIduct™ lay length is 500mm

For more information on MULTIduct™, please consult the **MULTIduct™ Product Focus** document

Contact us:

Head Office: 4 Silverwood Industrial Estate, Lurgan, Co. Armagh, BT66 6LN, Northern Ireland

www.cubis-systems.com email: info@cubisindustries.com Telephone: +44 (0)28 38 313 100